

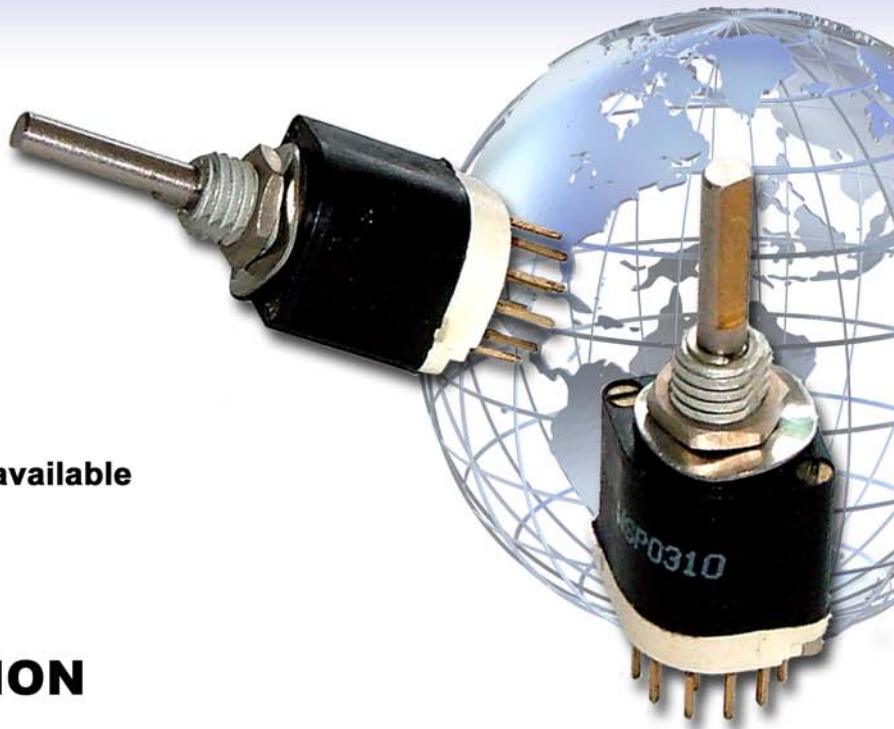
ROTARY SWITCHES

TYPE DR

12.5mm 12 positions

FEATURES

- Gold contacts for electrical stability
- Long operational life
- Balanced positive indexing
- 100% electrically tested
- Stainless steel spindles
- Wide operating temperature range
- BCD and BCD complement, other codes available
- Bias at end position
- Fully sealed version available



TECHNICAL SPECIFICATION

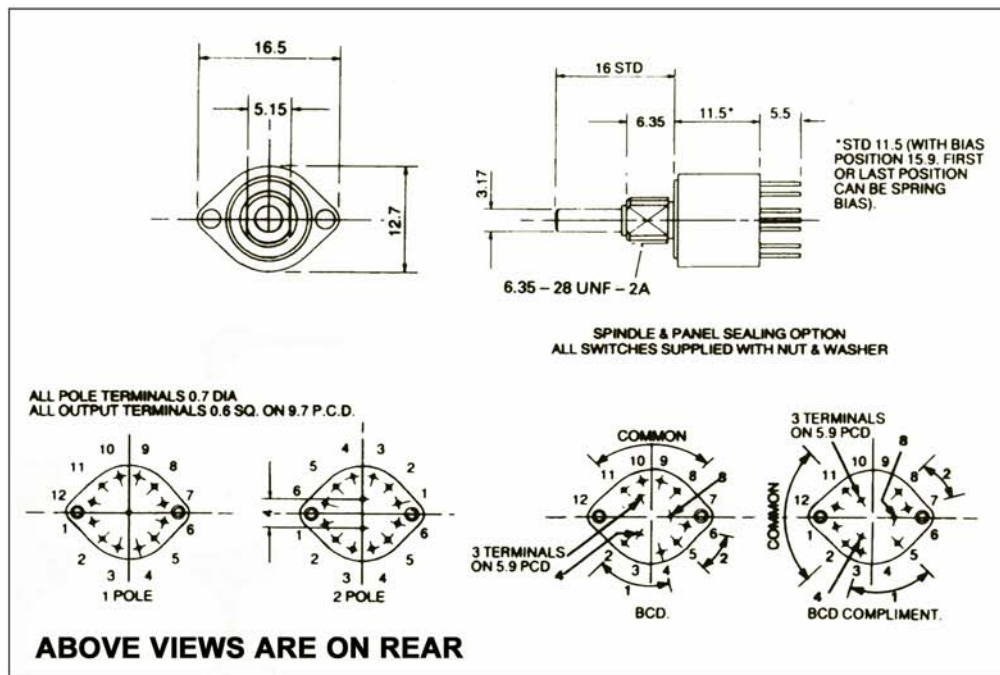
Electrical Specifications

Contact Rating:- Switching	5VA dc. 10VA ac. (500mA max) resistive
Continuous	2A
Proof Voltage (for 1 min.)	750 V peak, adjacent term
Insulation Resistance	1000M Ω min at 100 volts dc.
Contact Resistance (at terminals)	10m Ω max initially measured at 100mV, 100mA. after 10,000 cycles max increase from initial value 20m Ω
Capacitance	3pf adjacent terminals
Endurance	10,000 cycles at upper temp category (85°) & VA rating

Mechanical Specifications

Temperature Range	-40°C/+85°C
Contact Finish	Gold flash on 5 μ silver
End Stop Strength	0.8Nm
Terminal Strength	Tensile test load 10N
Sealing	Spindle & panel seal option max. leakage 1ml/hour.
Mounting Bush	Brass nickel plated
Spindle	Stainless steel plain or flatted
Operating Torque	0.035 - 0.112Nm
Index Body	Glass filled nylon 66
Stator	DAP or high temperature thermoplastic
Endurance	25,000 cycles
Terminals	Brass silver plated gold flashed

Dimensions in mm



Wessex Advanced Switching Products Ltd
 Alexandria Park, Penner Road Havant,
 Hants PO9 1QY, UK
 Tel: +44 (0)239 245 7000
 Fax: +44 (0) 239 247 3918
 email: sales@wasp-ltd.co.uk
 www.waspswitches.co.uk

