

ROTARY SWITCHES

TYPE DG

24 position rotary wafer switches

FEATURES

- Gold contacts for electrical stability
- Long operational life
- Balanced positive indexing
- 100% electrically tested
- Stainless steel spindles
- Wide operating temperature range
- 24 positions
- Multi wafer
- Dual concentric



TECHNICAL SPECIFICATION

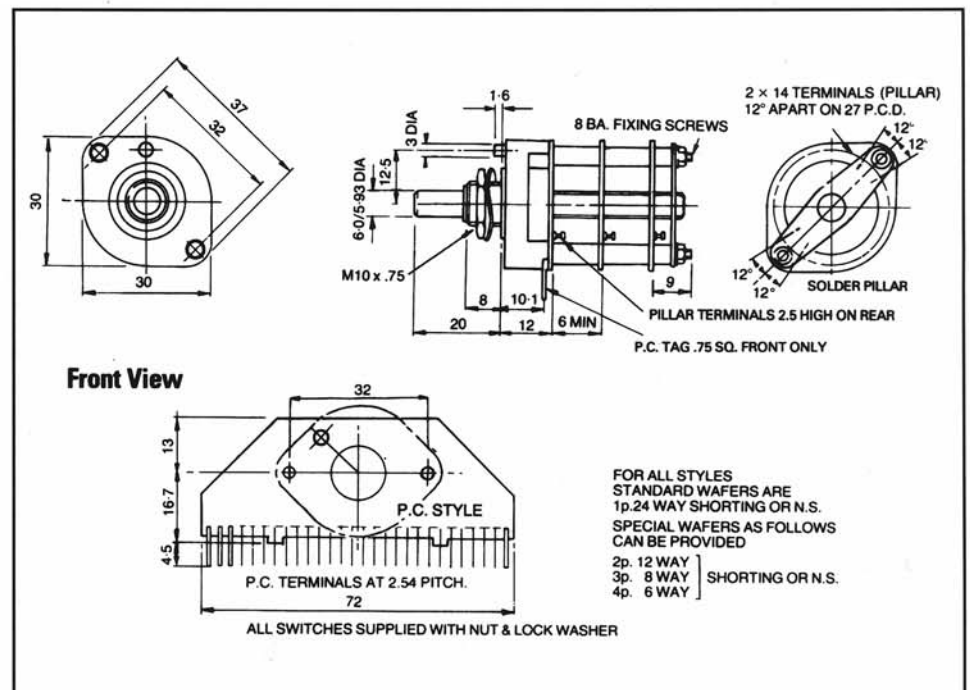
Electrical Specifications

Contact Rating:- Switching	5VA dc. 10VA ac. (1A max) resistive
Continuous	2A
Proof Voltage (for 1 min.)	1000 V peak, adjacent term
Insulation Resistance	500MΩ min at 500 volts dc.
Contact resistance (at terminals)	60mΩ max initially measured at 100mV, 100mA. after 20,000 cycles max increase from initial value 20mΩ
Capacitance	3pf adjacent terminals
Endurance	20,000 cycles at upper temp category (85°) & VA rating

Mechanical Specifications

Temperature Range	-40°C/+85°C
Contact Finish	Hard acid gold 2μm on nickel 5μm
End Stop Strength	1.13Nm
Terminal Strength	Tensile test load 10N
Sealing	Spindle & panel seal option max. leakage 1ml/hour.
Mounting Bush	Brass electroplated
Spindle	Stainless steel or zinc plated
Moulded Parts	Glass filled nylon 66
Endurance	50,000 cycles
Wafer	Epoxy glass laminate copper clad etched & electroplated as contact
Terminals	PC - brass tin lead Pillar - brass silver plated

Dimensions in mm



Wessex Advanced Switching Products Ltd
 Southmoor Lane, Havant, Hants PO9 1JW UK
 Tel: +44 (0)239 245 3711
 Fax: +44 (0) 239 247 3918
 email: sales@wasp-ltd.co.uk
 www.waspswitches.co.uk

